

4

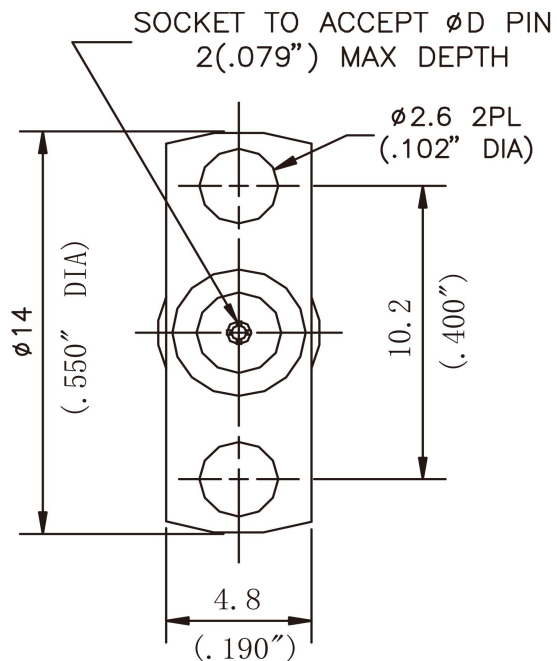
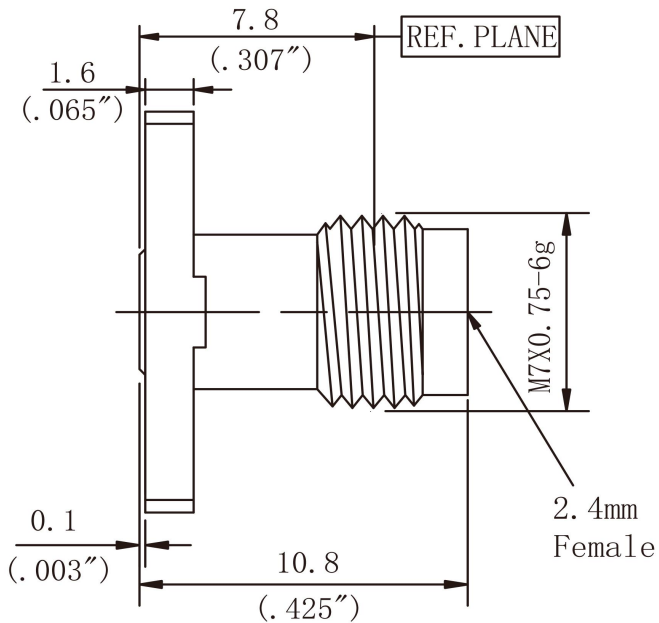
3

2

1

THIS DRAWING UNPUBLISHED.	RELEASED FOR PUBUCATION
---------------------------	-------------------------

LOC	DIST	REVISIONS					
---	---	P	LTR	DATE	DWN	APVD	



- NOTES:
- ELECTRICAL:
    - IMPEDANCE: 50Ω
    - INSULATION RESISTANCE: 5000M Ω
    - FREQUENCY RANGE: DC-50 GHz
    - DIELECTRIC WITHSTANDING VOLTAGE: 1000V MAX AT SEA LEVEL
    - VSWR: ≤1.15:1
    - INSERTION LOSS: 0.25dB (MAX)

- ENVIRONMENTAL:
  - TEMPERATURE RANGE: -55° to +165°

- MATERIAL AND FINISH:
  - INNER CONDUCTOR MATERIAL: BERYLLIUM BRONZE GOLD PLATING
  - EXTERNAL CONDUCTOR MATERIAL: STAINLESS STEEL PASSIVATED
  - INSULATOR: PTFE

MODEL	Jack diameter ØD	MODEL	Jack diameter ØD
XQY-24FS23F05-M	0.23mm/0.009"	XQY-24FS30F05-M	0.30mm/0.012"
XQY-24FS38F05-M	0.38mm/0.015"	XQY-24FS51F05-M	0.51mm/0.020"
Accept custom sizes and styles			

THIS DRAWING IS A CONTROLLED DOCUMENT		21/10/2021	 Shenzhen xinqiyuan Technology Co., Ltd.	
		CHK		
DIMENSIONSMM		TOLERANCES UNLESS OTHERWISE SPECIFIED: ±0.1	NAME 2.4 mm Female RF Coaxial Connector Detachable	
 Note: Dimensions (mm / [inch])		APVD	SIZE A4	CAGE CODE 01021
		APPLICATION SPEC		
		WEIGHT		

4

3

2

1