

4

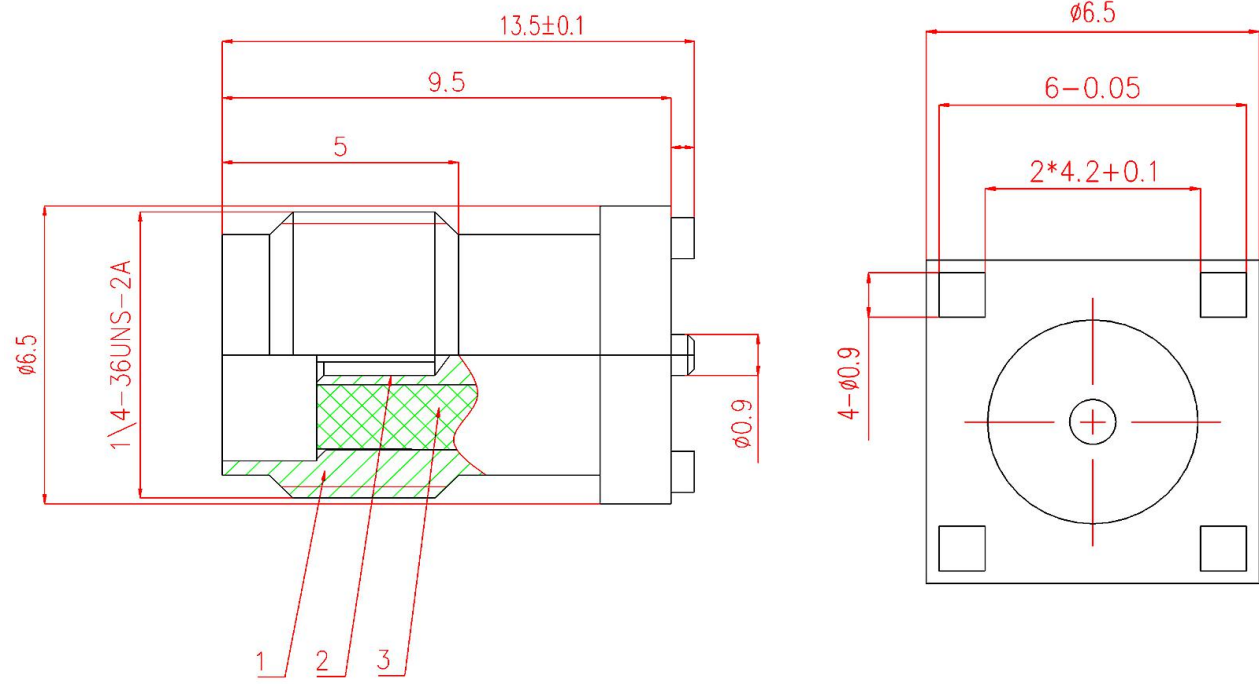
3

2

1

THIS DRAWING UNPUBLISHED.	RELEASED FOR PUBUCATION
---------------------------	-------------------------


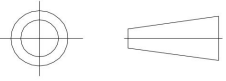
LOC	DIST	REVISIONS					
---	---	P	LTR	---	DATE	DWN	APVD
---	---	---	---	---	---	---	---



- NOTES:
- ELECTRICAL:
    - IMPEDANCE:  $50 \Omega$
    - INSULATION RESISTANCE:  $5000M \Omega$
    - FREQUENCY RANGE: DC-6 GHz
    - DIELECTRIC WITHSTANDING VOLTAGE:  $750V \text{ MAX AT SEA LEVEL}$
    - VSWR:  $\leq 1.20:1$
    - INSERTION LOSS:  $0.25\text{dB (MAX)}$
  - ENVIRONMENTAL:
    - TEMPERATURE RANGE:  $-55^\circ$  to  $+125^\circ$
  - MATERIAL AND FINISH:
    - INNER CONDUCTOR MATERIAL: BERYLLIUM BRONZE GOLD PLATING
    - INSULATOR: PTFE
    - EXTERNAL CONDUCTOR MATERIAL: BRASS GOLD PLATING

1	2	3
BRASS	BERYLLIUM BRONZE	PTFE
GOLD PLATING	GOLD PLATING	/
Accept custom sizes and styles		

- ENVIRONMENTAL:
  - TEMPERATURE RANGE:  $-55^\circ$  to  $+125^\circ$
- MATERIAL AND FINISH:
  - INNER CONDUCTOR MATERIAL: BERYLLIUM BRONZE GOLD PLATING
  - INSULATOR: PTFE
  - EXTERNAL CONDUCTOR MATERIAL: BRASS GOLD PLATING

THIS DRAWING IS A CONTROLLED DOCUMENT		21/10/2021	 Shenzhen xinqiyuan Technology Co., Ltd.	
		CHK	NAME SMA Female RF Coaxial Connector Patch Printed circuit board	
DIMENSIONSMM		TOLERANCES UNLESS OTHERWISE SPECIFIED: $\pm 0.1$ Note: Dimensions (mm / [inch])	APVD	DRAWING NO XQY-SMAKET-TB
		APVD	SIZE A4	
		APPLICATION SPEC	CAGE CODE 01021	
		WEIGHT		

4

3

2

1